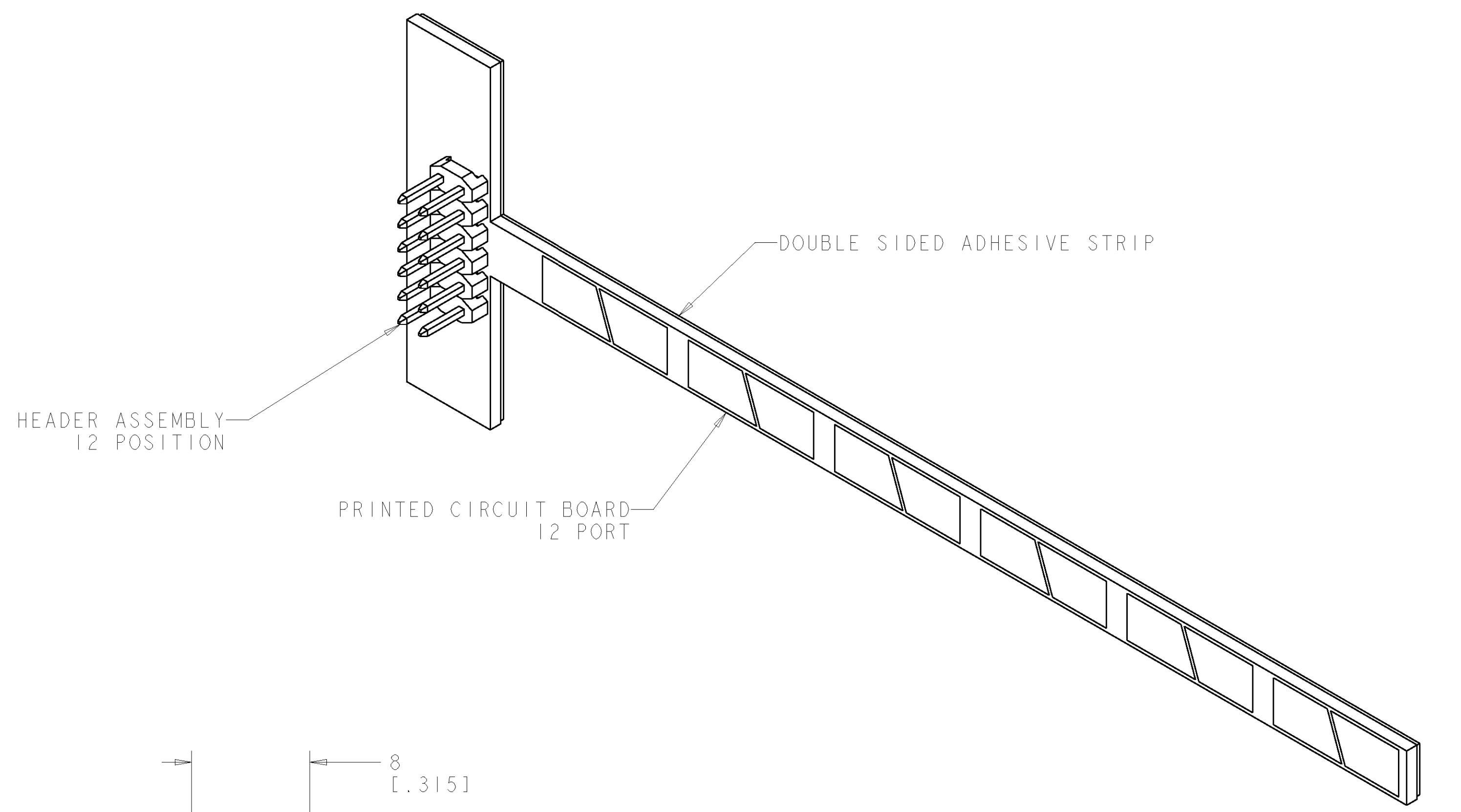
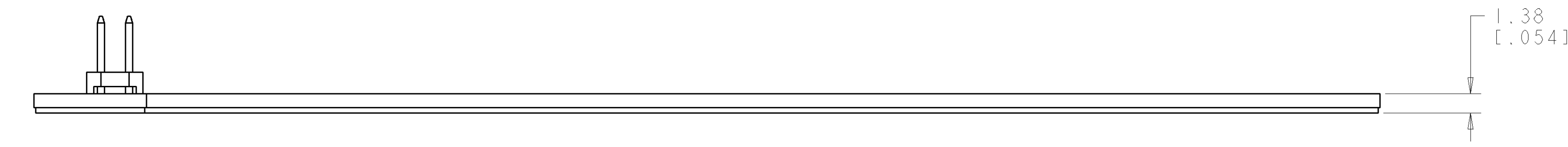
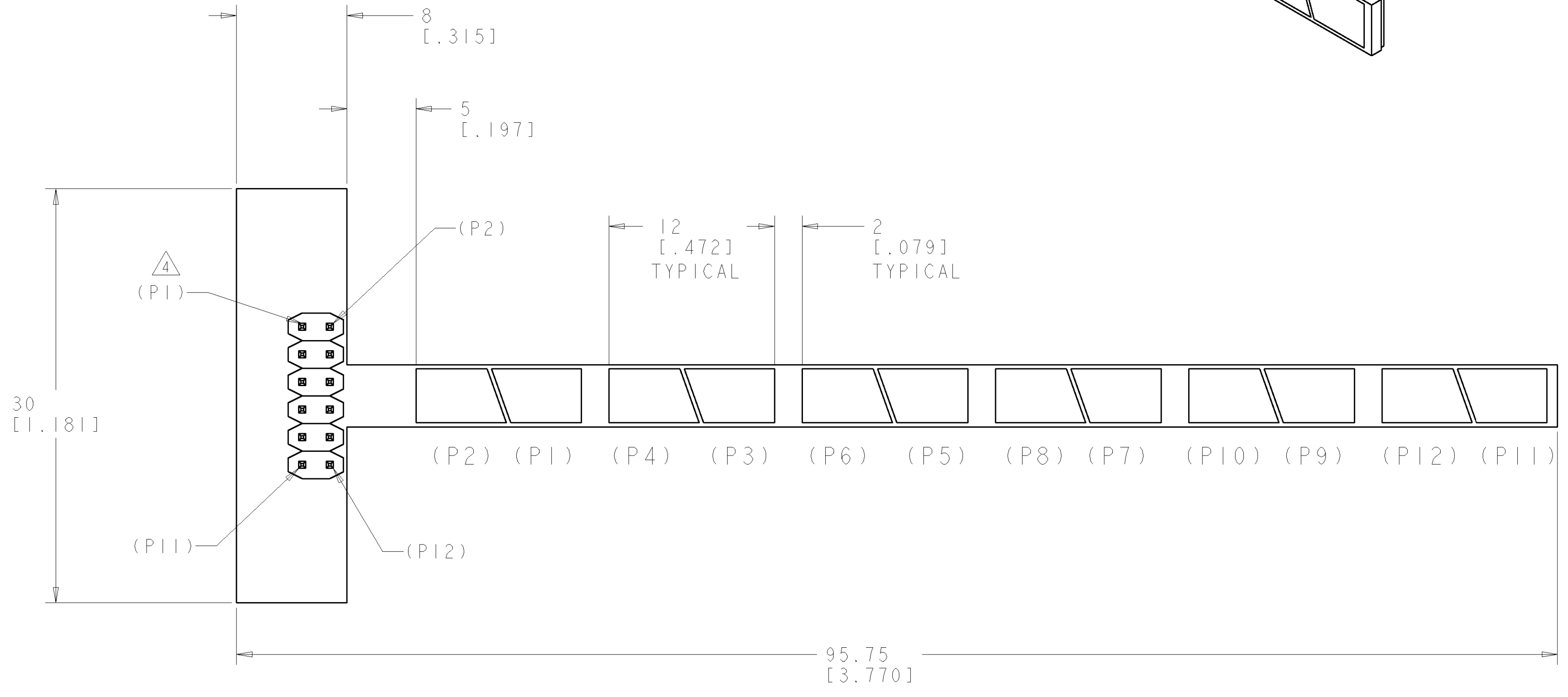


LOC		DIST		REVISIONS			
P	LTR	DESCRIPTION	DATE	DRN	APVD		
A		RLSD: NPR NS004-172	10DEC2004	GG	MD		



- 1. MATERIAL:
 PRINTED CIRCUIT BOARD - LAMINATED PLASTIC FR-4, 1.00 [.039] THICK.
 ADHESIVE TAPE - MYLAR, 0.38 [.015] THICK.
 HOUSING - THERMOPLASTIC, UL94V-0, BLACK.
 CONTACTS - COPPER ALLOY.
- 2. ALL DIMENSIONS SHOWN ARE NOMINAL.
- 3. PARENTHESIS () ARE FOR REFERENCE ONLY. NOT SHOWN ON BOARD.
- 4. (P_) CALLOUTS ARE FOR PIN TO PAD REFERENCE ONLY.



1777019-1
PART NUMBER

<small>THIS DRAWING IS UNPUBLISHED. RELEASED FOR PUBLICATION BY TICO ELECTRONICS CORPORATION. ALL RIGHTS RESERVED.</small>		DWN G. GARRETT 10DEC2004 ENR M. DELPHIAS 10DEC2004 APVD M. DELPHIAS 10DEC2004	tyco Electronics Tyco Electronics Harrisburg, PA 17105-3608
DIMENSIONS: MM [INCHES]	TOLERANCES UNLESS OTHERWISE SPECIFIED: 0 PLC ± .2 1 PLC ± .15 2 PLC ± .1 3 PLC ± .075 4 PLC ± .05 ANGLES ± .5	NAME ASSEMBLY, AMPTRAC PCB, 12 PORT GENERIC	SIZE CAGE CODE DRAWING NO RESTRICTED TO A 00779 C-1777019 -
MATERIAL: - FINISH: -	WEIGHT: - CUSTOMER DRAWING	SCALE 4:1 SHEET 1 OF 1 REV A	